

# INSTRUCTION MANUAL

## WAFFLE MAKER REF : 443-1100



**To ensure proper use of this appliance and your safety, please read the following instructions completely before operating this appliance.**

English – Original



## Index

<b>Safety instructions</b>	<b>3</b>
<b>Technical Specifications</b>	<b>4</b>
<b>Operation</b>	<b>5</b>
<b>Cleaning</b>	<b>6</b>
<b>Maintenance</b>	<b>6</b>
<b>Exploded view and spare parts list</b>	<b>7</b>
<b>Circuit diagram</b>	<b>9</b>
<b>Standards and directives</b>	<b>10</b>
<b>Packaging and device disposal</b>	<b>10</b>



## **1. SAFETY INSTRUCTIONS**

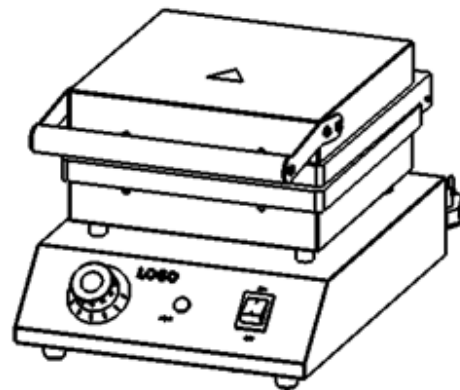
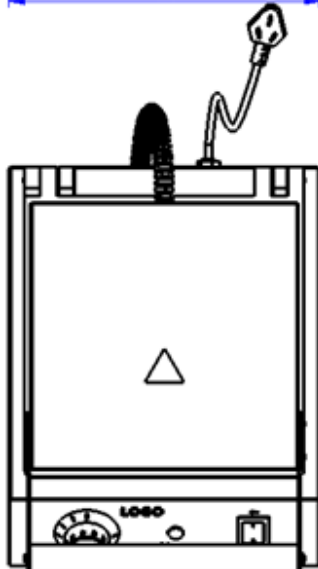
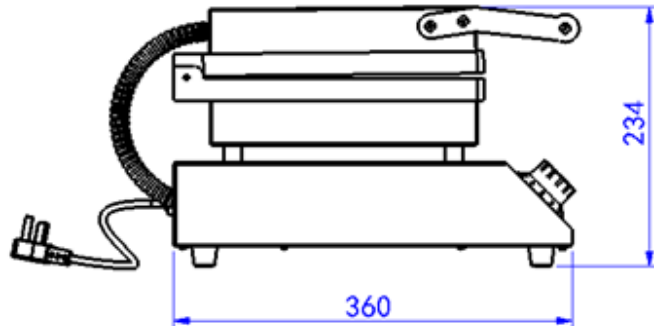
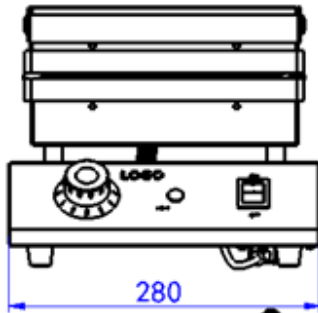
- For your safety, do not store or use gasoline or other flammable vapors or liquids in the vicinity of this or any other appliances. Keep the area free and clear of combustible.
- Improper installation, adjustment, alteration, service or maintenance can cause property damage, injury, or death. Read the installation operating and maintenance instructions thoroughly before installing, or servicing this equipment.
- Instructions must be posted in a prominent location. All safety precautions must be taken in the event the user smells gas.
- These models are designed, built, and sold for commercial use only. If these models are positioned so the general public can use the equipment, make sure that cautions, warnings, and operating instructions are clearly posted near each unit so that anyone using the equipment will use it correctly and not injure themselves or harm the equipment.
- A factory authorized agent should handle all maintenance and repair. Before doing any maintenance or repair, contact your authorized service representative.
- This product is intended for commercial use only.
- Installation must comply with all local codes.

**DANGER:** This warns of imminent hazard, which could result in serious injury or death.

**WARNING:** This refers to a potential hazard or unsafe practice, which could result in serious injury or death.

**2. TECHNICAL SPECIFICATIONS**

Model	Voltage	Power	Product size (mm)	Packing size (mm)	Gross weight (kg)
443-1100	230 V/50 HZ	1,6 kW	280x360x234	360x440x280	14





### **3. OPERATION**

After unpacking the waffle machine, place it in a safe place.

Remove all packing material from the device and remove any protective film. All Materials used for packaging or protecting the device may melt and / or be combustible, when the waffle machine is in operation.

Check the device carefully for possible damage. Check whether the power cord and plug are not connected Damages are. Do not operate the automatic waffle machine if you find any damage.

Contact your dealer immediately or contact your dealer.

Check that the waffle machine is connected to an adequately protected grounded mains connection Fuse is operated. In case of doubt, you must always bring in a qualified electrician.

The installation site must have adequate stability and should not wobble. The surface must be flat.

Also, no flammable objects must be placed near the appliance.

The place of installation must have sufficient ventilation (for example, exhaust hood).

In case of non-observance of these instructions, the manufacturer is not liable. For the establishment and compliance of all, The owner is responsible.

Before each use:

Clean the waffle machine by referring to the cleaning and maintenance instructions in this manual!

Check that only original parts are installed on the device and do not use any spare parts not from the manufacturer

Are permitted to avoid hazards such as fire, electrical shock or mechanical damage and injury submissions.

Check the unit for possible damage and cracks, if this is the case, bring it to an authorized dealer.

**DANGER:**

Make sure that the housing, cable and plug are not wet.



#### **4. CLEANING**

**DANGER:**

Be sure to disconnect the unit from the mains before cleaning. Never unplug the power cord and Cable from the mains connection! This can damage the cable and cause electrical shock.

The waffle machine is very strong due to its stainless steel case and the special non-stick coating easy to clean.

Before cleaning, make sure the waffle maker is switched off.

After switching the equipment off, wait until the appliance has cooled down. At least 20 minutes.

The appliance must not be hotter than handwarm before cleaning.

Never use sharp detergents for cleaning. These can damage the device as such.

To clean the case and wrench, you can use a damp cloth with a mild detergent use.

Never use a wet or dripping detergent. Water could penetrate the housing and get an electrical short circuit. There is danger for life and limb. Also pay attention to the power cord does not come into contact with water.

If inadvertently some water has come into the unit and there is a risk of the water in the unit, Do not use the waffle iron for the time being. Have the appliance checked by an expert.

**DANGER:**

DO NOT expose the unit to water. The appliance must not be immersed in water, nor is it allowed to do so (E.g., with a hose). There is a DANGER OF LIFE!

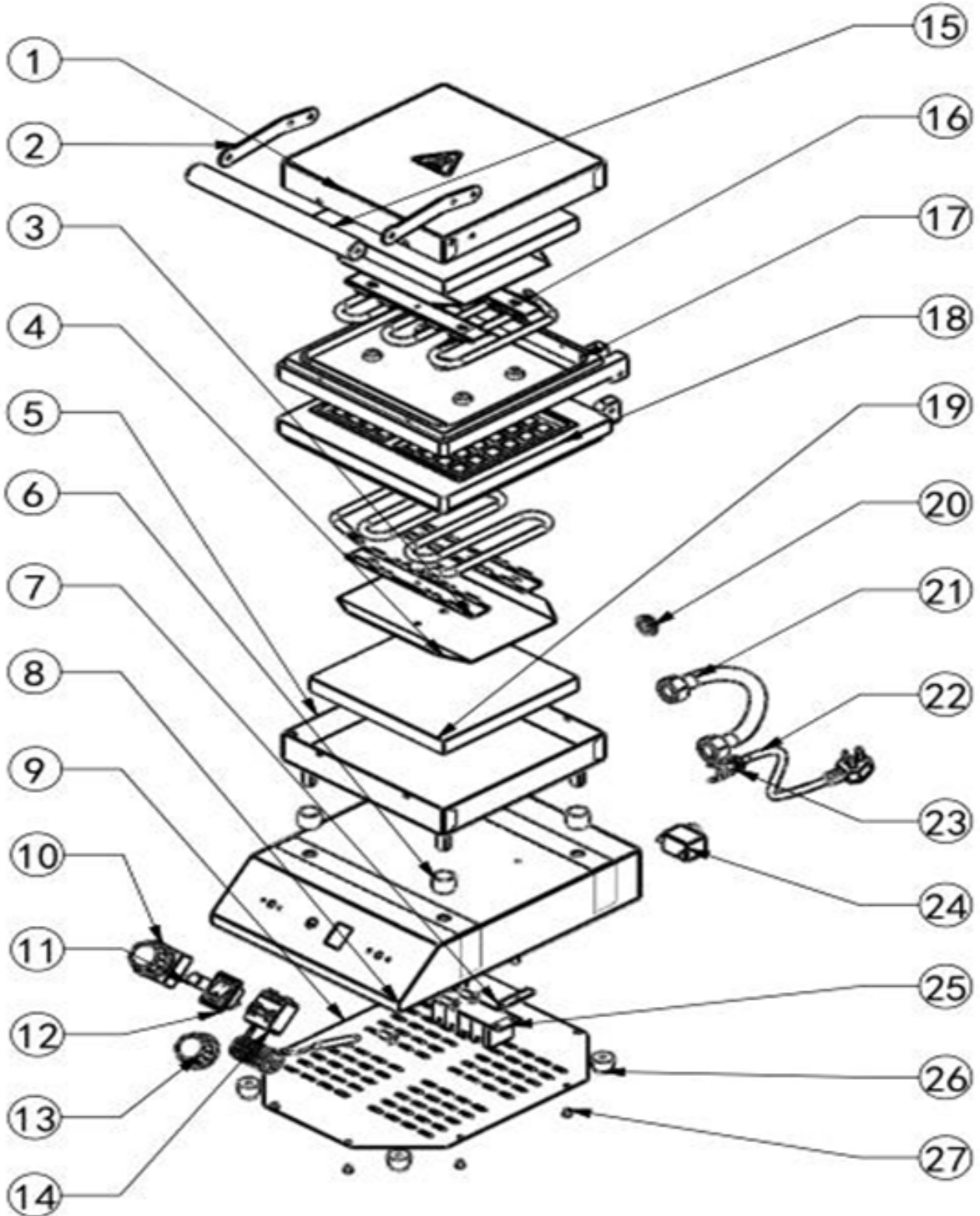
#### **5. MAINTENANCE**

The maintenance is limited to checking the mains plug, which must be checked for integrity before each use

And to the tightly turned spiral handles, as well as to the test of all screws (covers) for a tight fit.

If the unit malfunctions, contact your dealer or the address at the end of this manual.

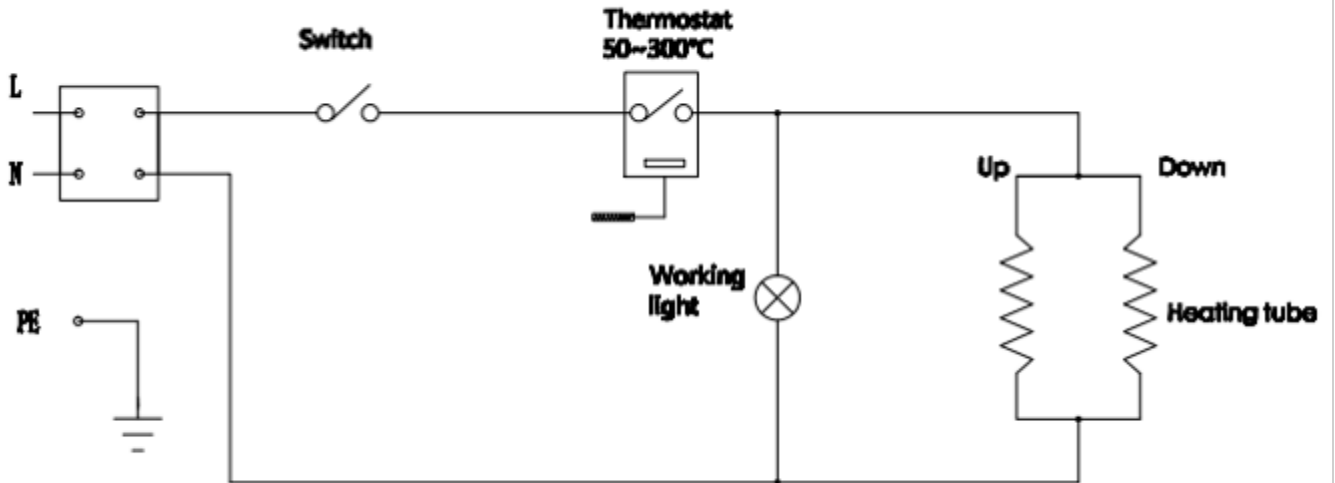
**5. EXPLODED VIEW AND SPARE PARTS LIST**



N°	Description	Ref	Qty
1	Upper baking sheet cover		1
2	Handle board		2
3	Heating pipe bead		4
4	Heating pipe partition		2
5	Chassis screw welding		1
6	Stainless steel tube $\Phi$ 22x20		4
7	Terminal mounting plate		1
8	Base welding		1
9	Bottom plate		1
10	5-minute timer	443-1100-10	1
11	Yellow indicator	443-1100-11	1
12	Green waterproof switch	443-1100-12	1
13	Knob	443-1100-13	2
14	Temperature controller	443-1100-14	1
15	$\Phi$ 25 black POM rod		1
16	Heating pipe	443-1100-16	2
17	Cast aluminum plate		1
18	Lower cast aluminum plate		1
19	Insulation cotton		2
20	Copper inner core		2
21	4 points internal tooth hose		1
22	power cable	443-1100-22	1
23	New power cable head	443-1100-23	1
24	Temperature limiter	443-1100-24	1
25	4-position terminal block 30A	443-1100-25	1
26	Rubber feet	443-1100-26	4
27	screw		8



**6. CIRCUIT DIAGRAM**



## **STANDARDS AND DIRECTIVES**

### **Meaning of crossed out wheeled dustbin:**

Do not dispose of electrical appliances as unsorted municipal waste, use separate collection facilities.

Contact your local government for information regarding the collection systems available.

If electrical appliances are disposed of in landfills or dumps, hazardous substances can leak into the groundwater and get into the food chain, damaging your health and well-being.

When replacing old appliances with new ones, the retailer is legally obligated to take back your old appliance for disposals at least free of charge.

The device complies with current EU standards and directives. If necessary, we will send you the corresponding declaration of conformity.

### **Packaging disposal**

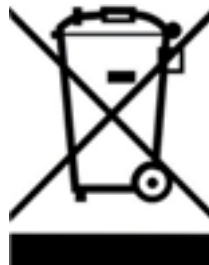
Please separate the packaging materials accordingly and return them to the responsible collection points for recycling and environmental housing.



### **Device disposal**

once the appliance has been used up, dispose of it properly at a collection point for electrical appliances. Electrical appliances do not belong in household waste.

Your responsible administration will inform you about the addresses and opening hours of collection points. This is the only way to ensure that old appliances are properly disposed of and recycled. Thank you very much!





CE